



&\$% \$%

N ! XGJ;

N ! XGJ;

N ! XGJ;

%	%
%%	%
&	(
&"%	(
&"&	(
&"')
&"(.....	*
'	+
' "%	+
' "&	%"
(.....	%)
("%	%)
("&	%)
("'	%"
)	%"
)"%	%"
)"&	%"
)"'	%"
)"("	%"
*	%"
*"%	%"
*"&	%"
*"'	%"
*"("	%"
+	%"
,	%"
,"%	%"
,"&	%"
,"'	%"
,"("	%"
,")	%"

1

N ! XGJ;

1.1

%' %' %

◆
◆

%' %' &

◆
◆

◆
◆
◆
◆
◆

%' %' '

◆
◆

- ◆
- ◆
- ◆
- ◆

%'%' (

- ◆
- ◆
- ◆
- ◆
- ◆

- ◆
- ◆
- ◆
- ◆
- ◆

) ()^{c7}

%'%)

- ◆
- ◆
- ◆

' \$

◆

◆
◆

◆

%'%' *

◆

%'%' +

◆ N ! XGJ;

N ! XGJ;

2

2.1

%

!% () ž)?#\

&

-\$%f&\$ Ł)%#\ž

3)

,

(Ł

\$\$\$\$a %\$\$\$\$a

)Ł

&<z -<z O\$"' aa

-<z &\$\$<zž

)a#g⁸

ž

*Ł

U

!&\$% ž% %

V

&\$kJ5

2.1

2.2

%

*kJ %kJ ')kJ

&

%—&\$ AJUF

,

- () ag
-) 0 %
- * GJ; 2--%
- + 0%\$\$\$a

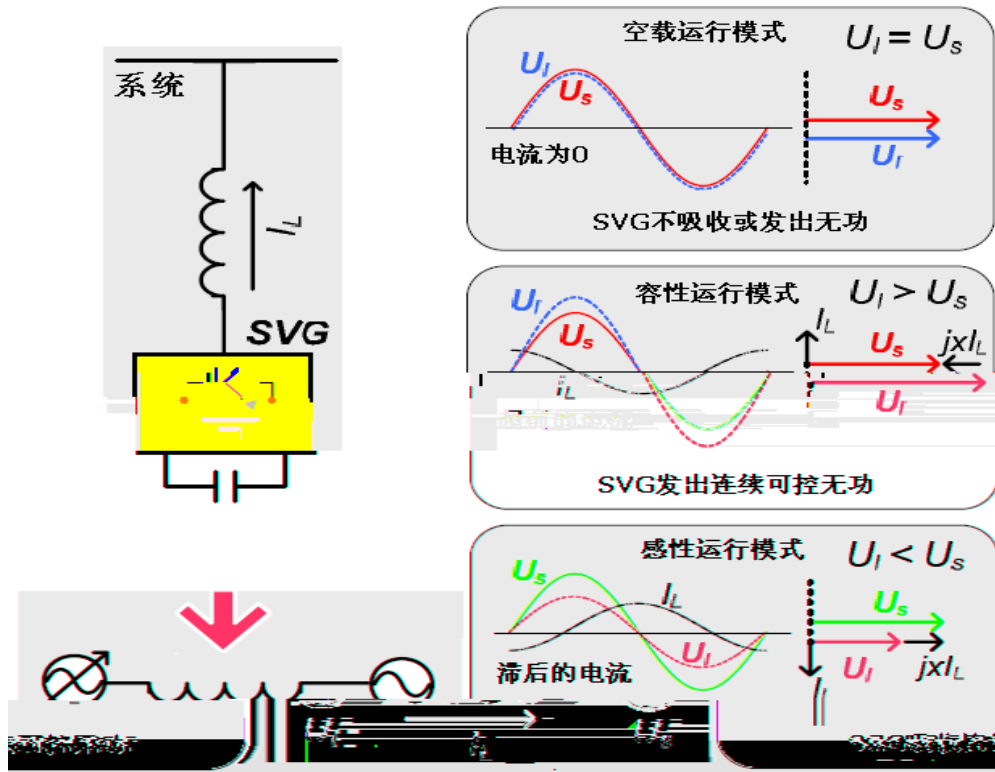
2.3

GJ;

GH7CA

GJ;

& %



& %GJ;

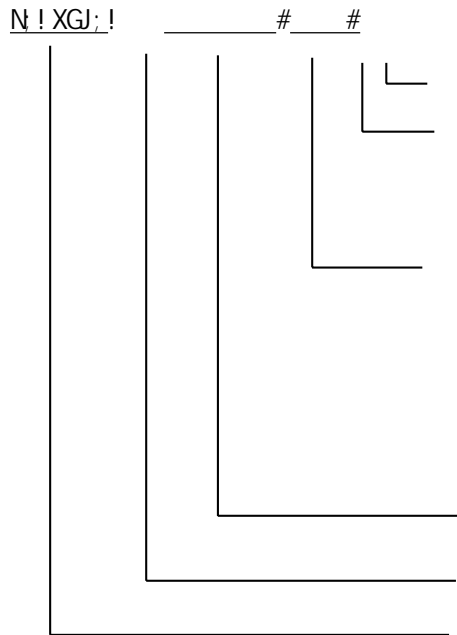
& %

$$I_1 = (U_s - U_1) \div jX_L$$

& %

2.4

N ! XGJ;



5! N \$! -

M

K

\$' ' kJ

\$* *kJ

5\$ %\$kJ

') ')kJ

kJUF

b < b <

%\$kJ

± &\$\$kj Uf

%& <

55\$

N ! XGJ; ! %& &\$\$#%\$M#5\$

N ! XGJ;

%\$kJ

*\$\$5

*\$\$5

')kJ

N ! XGJ;

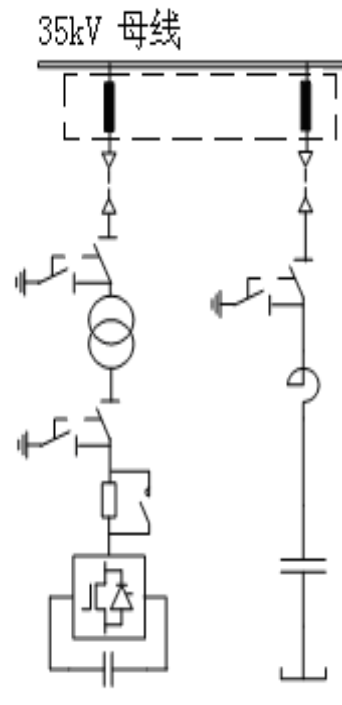
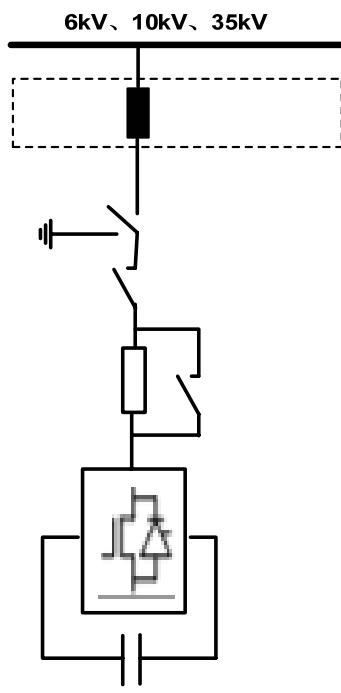
3

3.1

N ! XGJ;

' ! %

' ! &



' ! %

' ! &

' ! ' !

N ! XGJ;

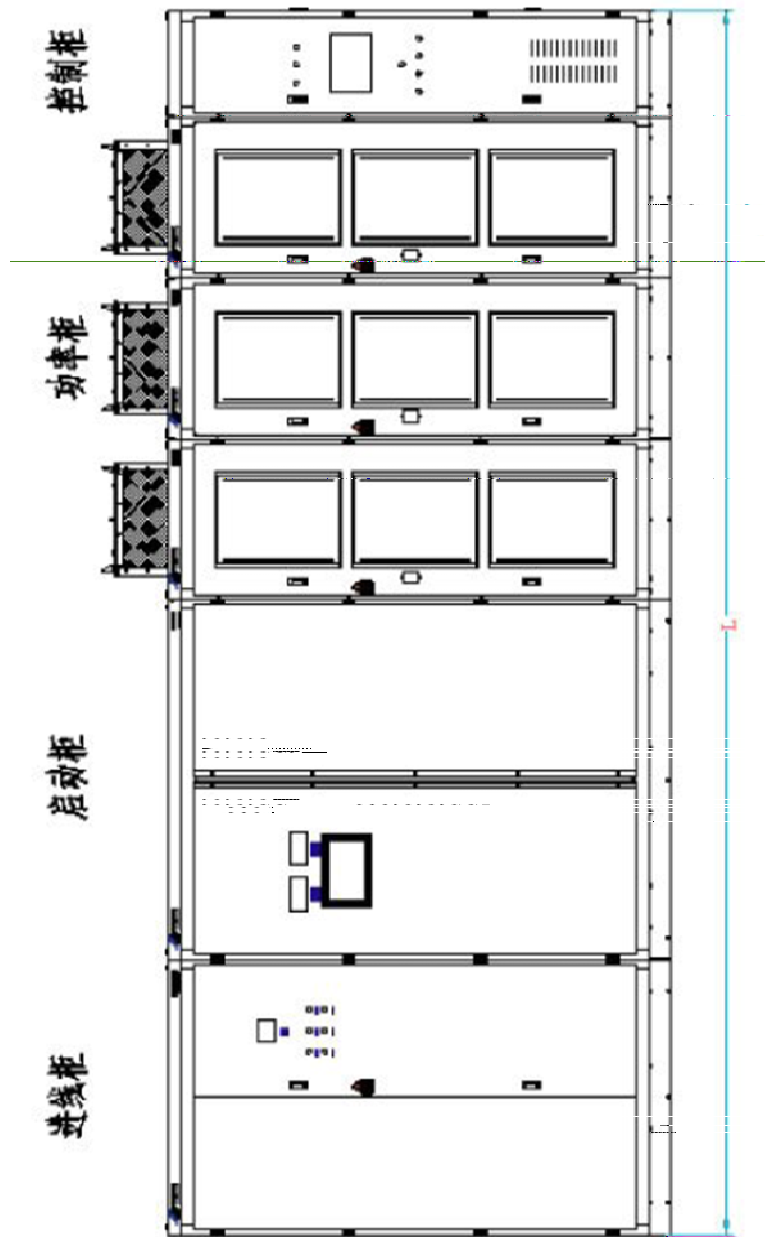
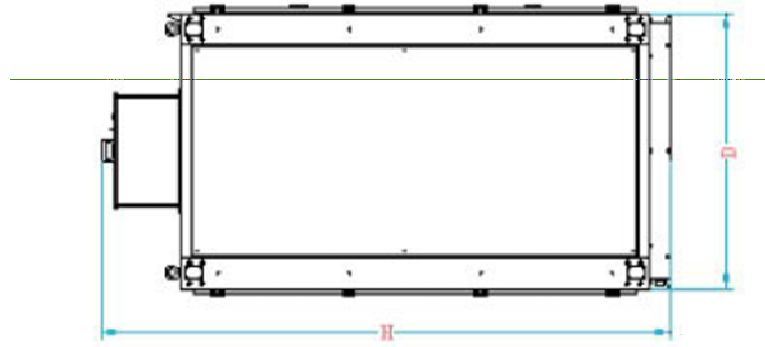
%

&

,

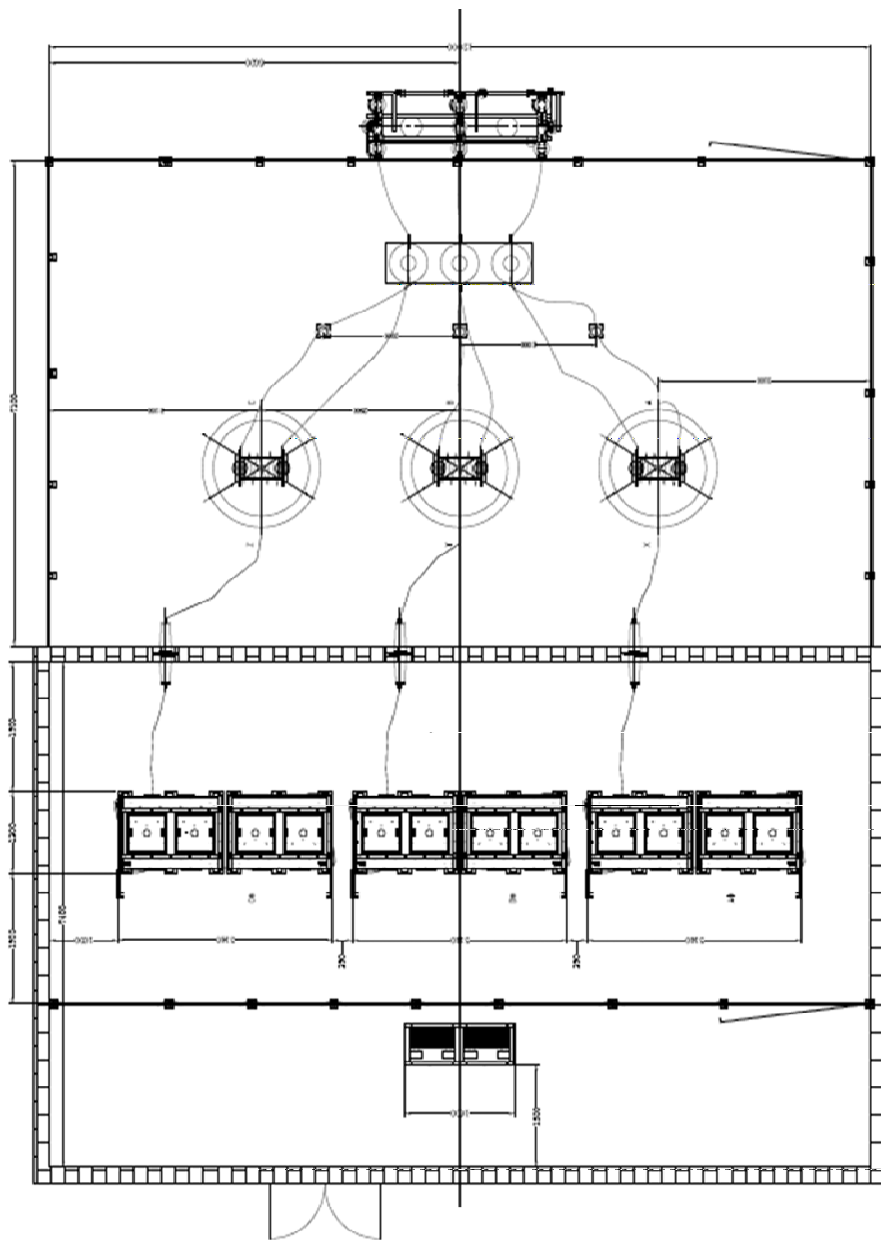
(

I DG



3-3 6kV 10kV ZG-dSVG

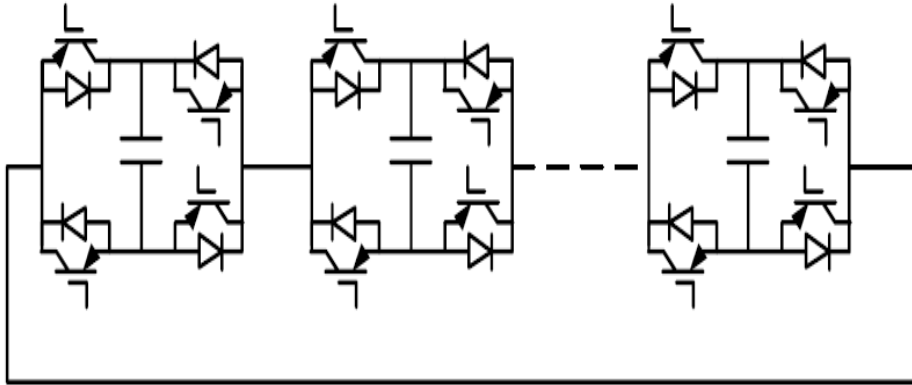
% \$kJ ')kJ
 &
 ' :7
 (:7
 ')kJ N ! XGJ;
 ' ! (



3-4 35kV ZG-dSVG

3.2

%



'!)

'!)

% N ! XGJ;

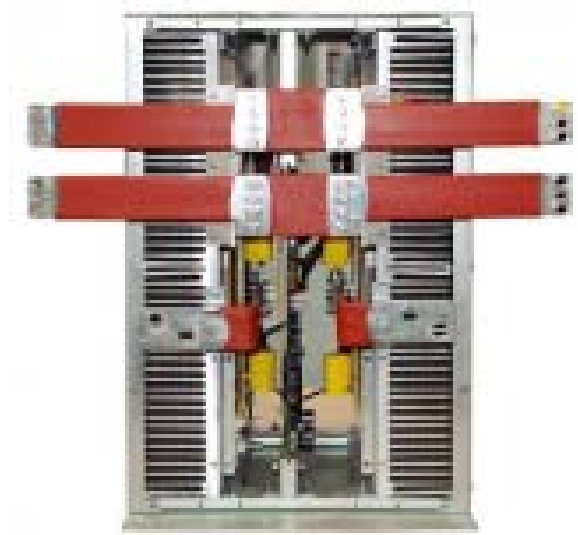
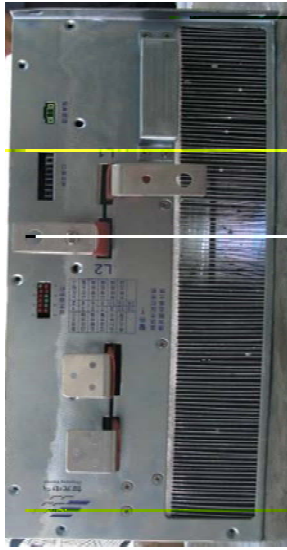
&"

' "

=; 6H

=; 6H

'! * '!' +



3-6



'!+

&

N ! XGJ;



'!,



3-9

U
V
W
X

N ! XGJ;

GJ;

#

FG& &#FG(,)

75B

F>()

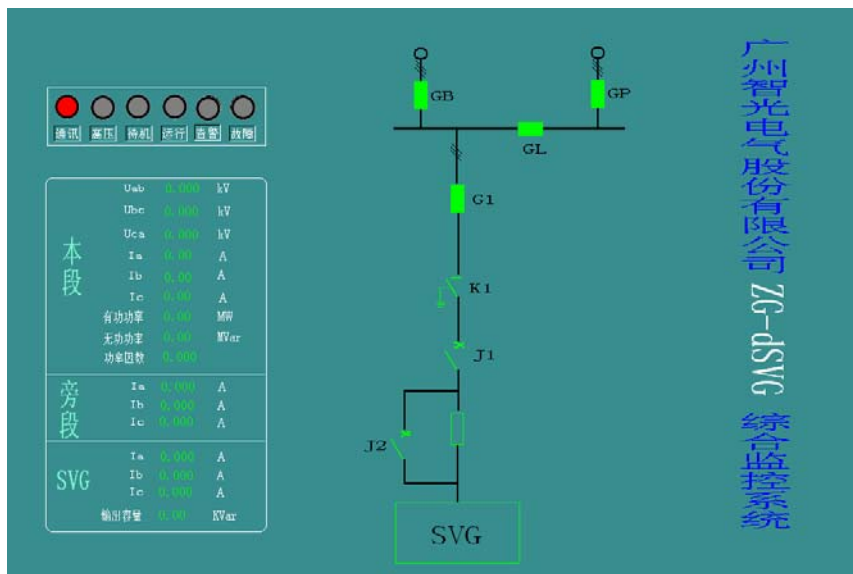
AcXVi g

Df cf] Vi g H7D#=#D =97*%)\$

; DFG

; DFG

4



3-10

%

k] bXckg LD

&

3

1-25

4

6

5

6

7

8

9

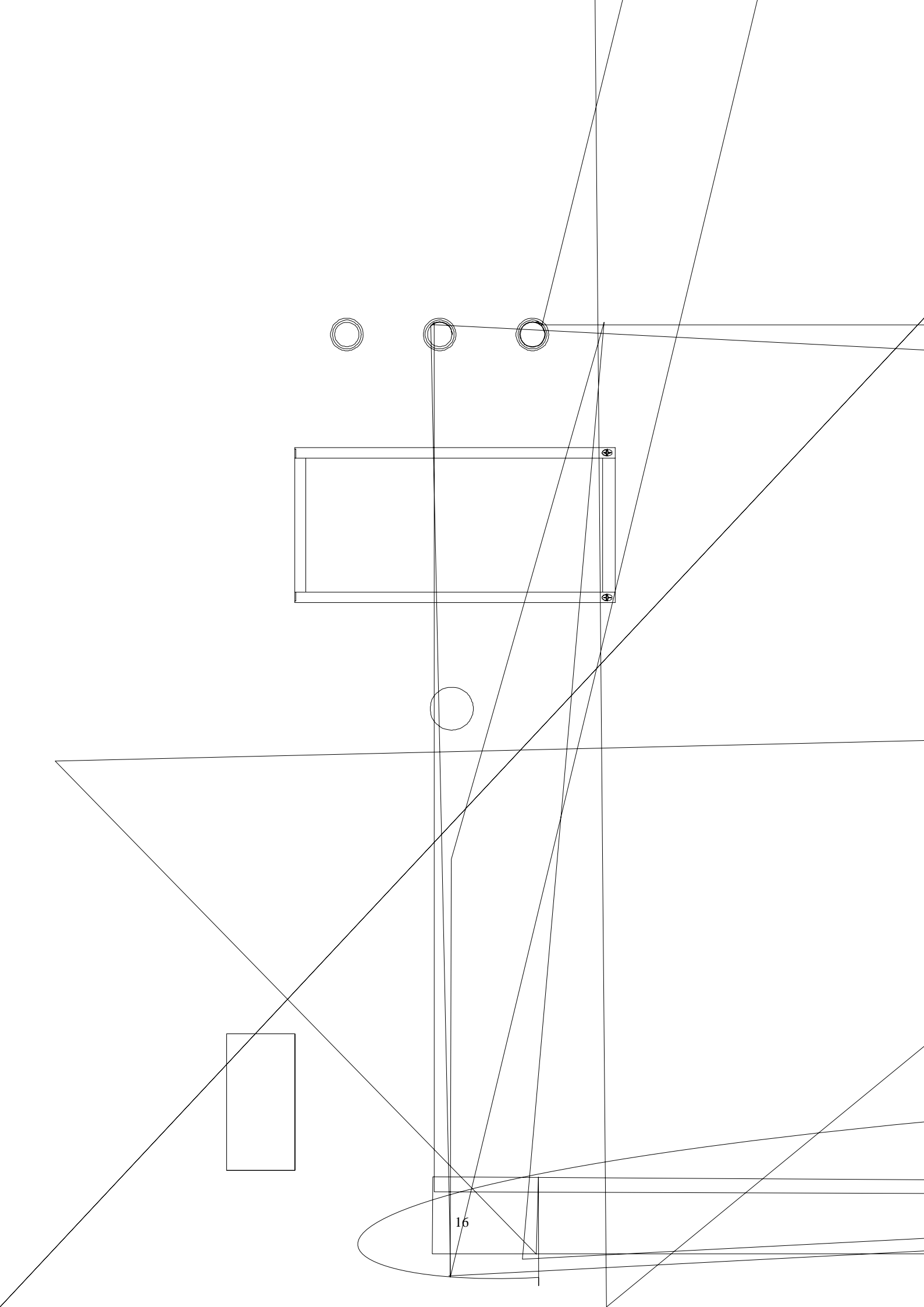
10

11

4

4.1

%



16

	/	

4-1

ZG-dSVG

4.3

TPC7063H

TPC7062K

FG(.)

%

&

%

&"

-\$-\$+\$

' "

4"

N ! XGJ;

5

5.1

1. 380V
2. /
- 3.
- 4.
- 5.
- 6.

5.2

1. 380V
- 2.
- 3.
- 4.
- 5.

5.3

- 1.

2.

380V

3.

4.

5.

6.

7.

5.4

1.

2.

3.

4.

3-6

5.

6.

7.

6

!%\$ fl

ł

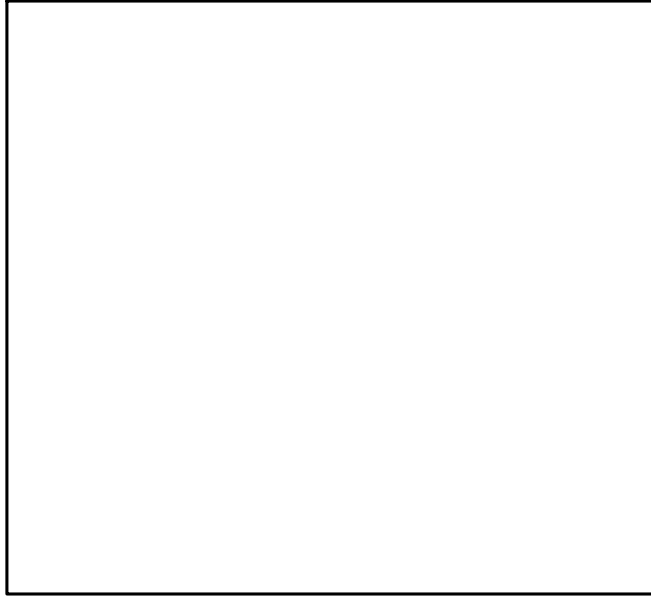
() fl

%\$

ł

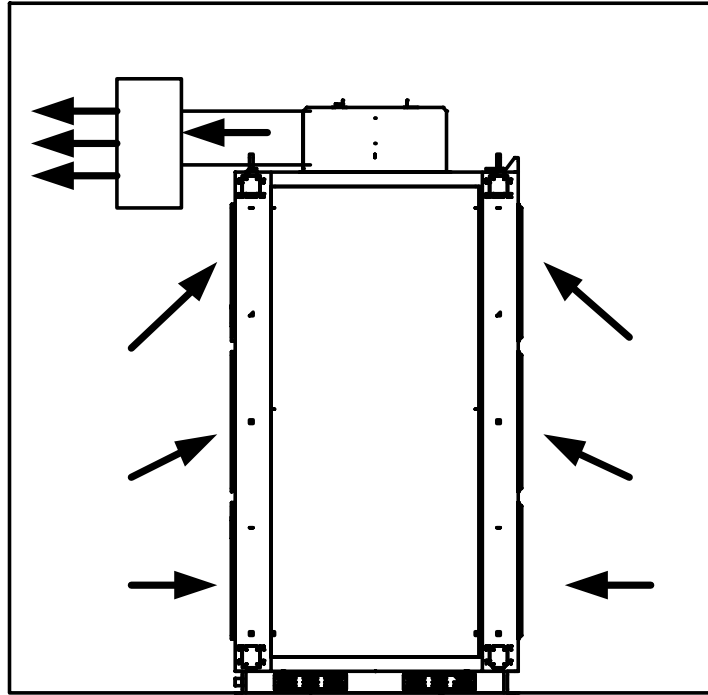
)?#\

6.1



6.3

%



*!'

&

6.4

$$G1 = \frac{a^{\frac{1}{5}} + a^{\frac{1}{5}}}{5} \div J \quad *! \%$$

G a^{1/5}

5% ()\$ %

5&)*\$ %

J &a#g

7

N ! XGJ;

+! %

7-1 ZG-dSVG

1		1.IGBT 2. 3. 4. 5.	1. 2. 3. 4.
2		1. 2. 3. 4.	1. 2. 3. 4.
3		1. PT 2. 3. 4. 5. 6. 7.	1. SVG PT 2. 3. 4. 5. 6.
4		1. 2. 3. 4. 5.	1. 2. 3. 4. 5.
5	/	1. 2. 3. 4. 5.	1. 2. 3. 4.
6		1.PT	1.

		2. 3.	2.
7	1/2	1. 2. 3. 4.	1. 2. 3.
8		1. 2. 3. 4.	1. 2. 3.
9		1. 2. 3. 4.	1. 2. 3.
10		1. 2. 3.	1. 2.
11		1. 2.	1. 2.
12		1. 2. 3. 4.	1. 2. 3.
13		1. UPS 2. 3. 4.	1. UPS 2. 3. 4.
14			1. 2.
15		1. 2. 3. PT 4.	1. 2. 3. PT SVG 4. PT
16	/ /	1. 2. 3.	1. 2. 3.
17		1. 2. ± 15V 3. 4.	1. ± 15V 2. 3. 4.

+! &

+! & ZG-dSVG

%		
&		
'	#	#
(
)	#	#
*		
+	#	#

8

8.1

8.2

1

2

3

4

5

8.5